



AEREX

AEREX Sdn. Bhd. (Company Number: 870558-T)

AEREX Sdn Bhd Profile



Company Information

Company Name	:	AEREX Sdn. Bhd.
Company Number	:	870558-T
Incorporation Date	:	1 September 2009
Authorized Capital	:	RM 1,000,000.00
Paid-up Capital	:	RM 1,000,000.00
Registered Office	:	No 32B Jalan BRP 1/2 Bukit Rahman Putra 47000 Sungai Buloh Selangor
Directors	:	Zohari Bin Mahur Ibrahim Bin Abu Bakar Suratman Bin Mustafa Pravin Atmaram
Ministry of Finance Registration:		Registration Number 357-02150746
MITI Manufacturing License :		License Number A 019730
PETRONAS License	:	License Number L-870558-T



COMPANY BACKGROUND

- **AEREX Sdn Bhd (formerly the Specialty Equipment business unit of UMW Advantech Sdn Bhd) is involved in Design, Manufacture & Supply of Specialty Equipment and Structures.**
- **Products include:**
 - **Structures (sub sea structures, storage tanks, skid)**
 - **Process Equipment (pressure vessels, launchers and reactors)**
 - **Specialized Vehicles (aircraft ground support equipment, aluminum tankers, ambulance, port trailers, tipper trucks & conveyor trailers)**
- **More than 30 years of design & fabrication experience**
- **25,000 ft² of workshop build-up areas + Open Yard**
- **In-house design capability - 3D CAD-CAM-CAE facilities**
- **Extensive range of fabrication machines and equipment**
- **Supported by strategic world class partner in Epcon Industrial Systems, USA for Pollution Control Equipment and Process Equipment**

Yard & Equipment

- Workshops (25,000 ft²) + Open Yard
- Overhead Cranes (2.5 to 10 tons)
- Cutting machines (CNC Profile & Manual)
- Bending machines (CNC & Manual)
- Milling Machines (CNC & Manual)
- Grinding Machines (Surface & Cylindrical)
- Lathe Machines (CNC & Manual)
- Auto Shot Blasting Machine
- Welding Machines (MIG, TIG, Electrode)
- Shearing, Rolling & Boring Machines
- Specialized Jigs

Standards & Quality Control

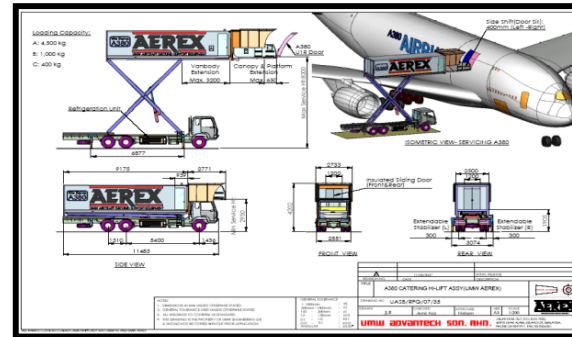
- Welding Standards - AWS, BS EN or ASME standards
- Shot Blasting Standards - Swedish Standard S.I.S 05.5900
- Painting Standards per customer requirements
- Non-Destructive Test
 - Ultrasonic Testing
 - Magnetic Particle Inspection
 - Die Penetration
 - Lamination
- Destructive Test
 - Mechanical Test (bend, tensile, impact tests for WPS approval)

Design & Engineering Capabilities



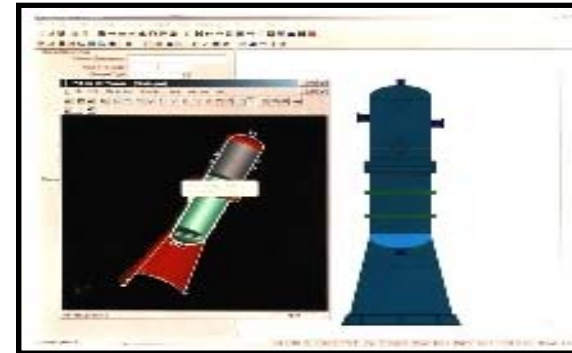
• Design Software

- Solidworks (3D)
- Autocad
- FEA (Cosmoworks)
- CAM
- PVELITE 2007



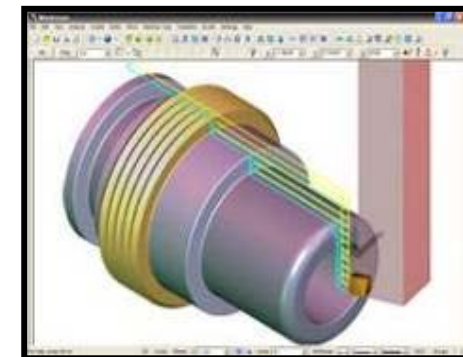
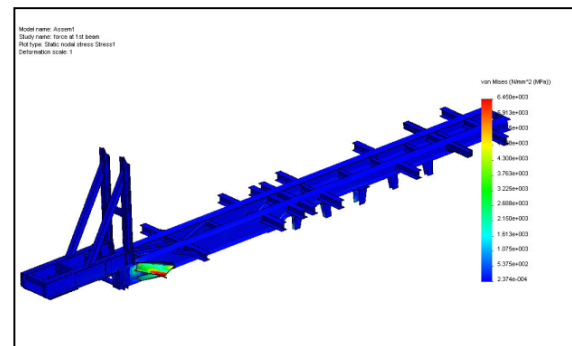
• Designers

- Design and Development
- Tooling and CAM



• Production

- Cutting, Rolling, Bending, Machining, Welding, Assembly



• Quality Assurance

AEREX Sdn Bhd Profile

Kinabalu NAG Water Storage Tank



AEREX Sdn Bhd Profile

Product - Structures

Sub Sea Connectors



Oil Storage Tanks



Work Over Rig & Components



Product – Process Equipment



Pressurized Seal Drum



Launcher / Receiver



Process Reactor



Skid Equipment



Product – Pollution Control Equipment



EPCON® Direct Fired Oxidizer



EPCON® Regenerative Thermal Oxidizers



EPCON® Recuperative Thermal Oxidizers



EPCON® DeNOx SCR Oxidizer



Product – Aircraft Ground Support Equipment



AEREX Catering Hi-Lift (Drop Cab/Std Cab/Half Cab/Mini)



AEREX Maintenance Platform (9.8m & 4.9m)



AEREX Sdn Bhd Profile

Product – Aircraft Ground Support Equipment



AEREX Lavatory Truck (Vacuum Suction)



AEREX Potable Water Truck



AEREX Medical/Ambulance/Invalid Passenger Lift



AEREX Sdn Bhd Profile

Other Specialized Vehicles



3 Way Open Tipper



AEREX Sdn Bhd Profile

Other Specialized Vehicles



Mobile Cell Truck (National Anti Drugs Abuse Agency)



AEREX Sdn Bhd Profile

Other Specialized Vehicles



Fuel Dispenser



Mobile Command Center



Ambulance





Customers

Structures & Process Equipment

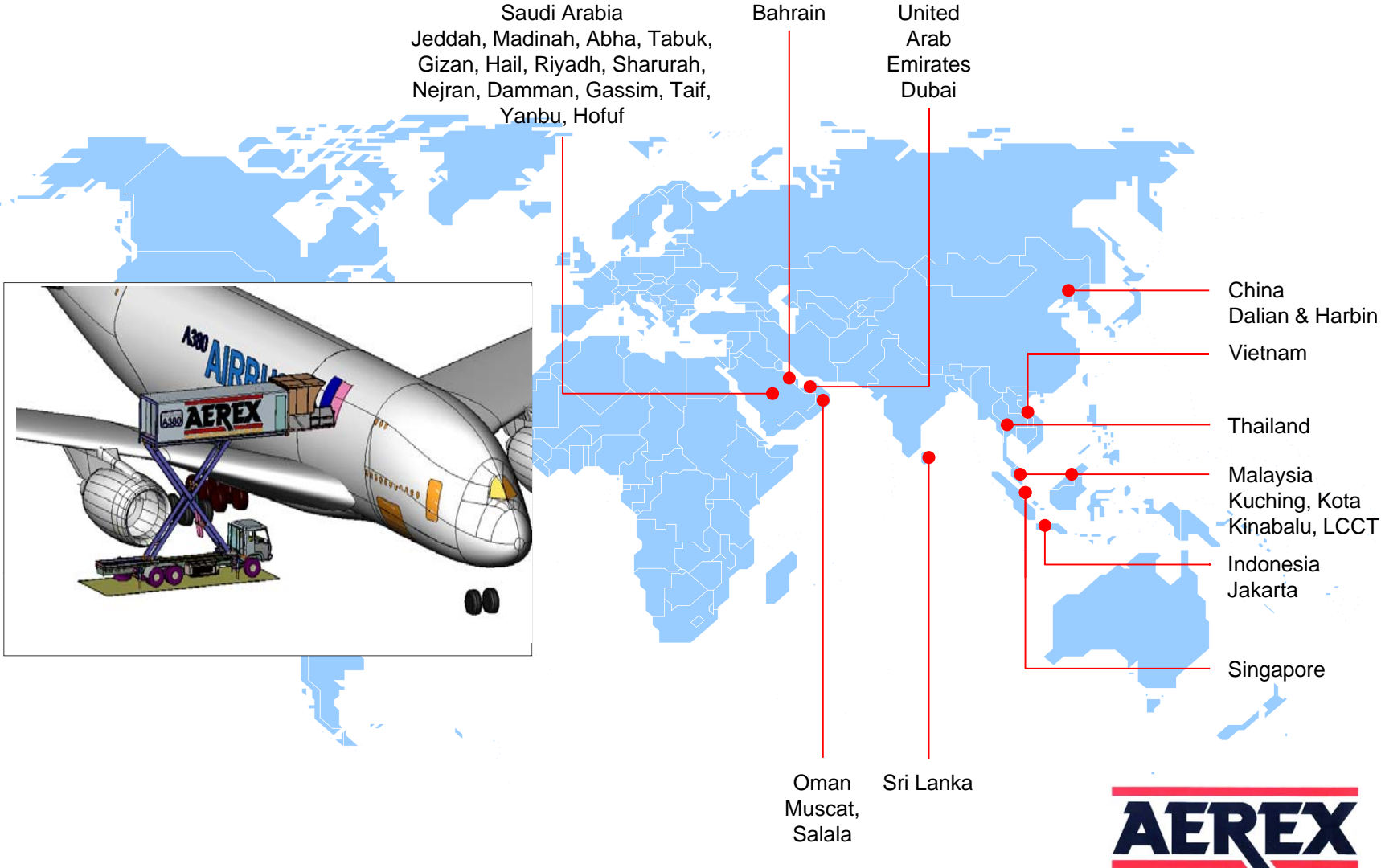
- **Malaysian Marine Heavy Engineering (MMHE)**
- **Transwater API**
- **Aker Solutions Malaysia**
- **Cameron International Malaysia Systems**
- **Sime Darby Engineering**
- **Titan Petchem (M) Sdn. Bhd.**
- **UMW Group**
- **Polyethylene Malaysia**

Specialized Vehicles

- **Bahrain Airport Services**
- **Oman Air**
- **Saudi Arabian Airlines**
- **UNASCO / NHS - Saudi Arabia**
- **Air Asia Bhd**
- **Gardenia Flight Kitchen Sdn Bhd**
- **Malaysian Airlines**
- **Malaysian Government (Home Ministry; Local Council)**

AEREX – AVIATION GROUND SUPPORT EQUIPMENT

Market Penetration





Contact us.....

Office

Lot 6, Jalan Tiara Sentral 1
Tiara Sentral @Nilai Utama Enterprise
71800, Nilai
Negeri Sembilan, MALAYSIA
Tel: +6 06 7999 702 / +6 06 7999 703
Fax: +6 06 7999 704
Email: enquiry@aerex.com.my
Web: www.aerex.com.my

at your service...

Ibrahim Abu Bakar
Suratman Mustafa
Pravin Atmaram
Rani Sulong

ibrahim.abu.bakar@aerex.com.my
suratman.mustafa@aerex.com.my
pravin.atmaram@aerex.com.my
rani.sulong@aerex.com.my

mobile: +6 019 2132826
mobile: +6 012 3998922
mobile: +6 019 3177999
mobile: +6 012 6570440